

NOTE: THIS MAP IS AN UNRECORDED SHEET OF LS 21/68 AND REFLECTS THE LATEST VERTICAL DATUM FOR EACH MONUMENT WITHIN THE CITY'S HORIZONTAL CONTROL NETWORK.

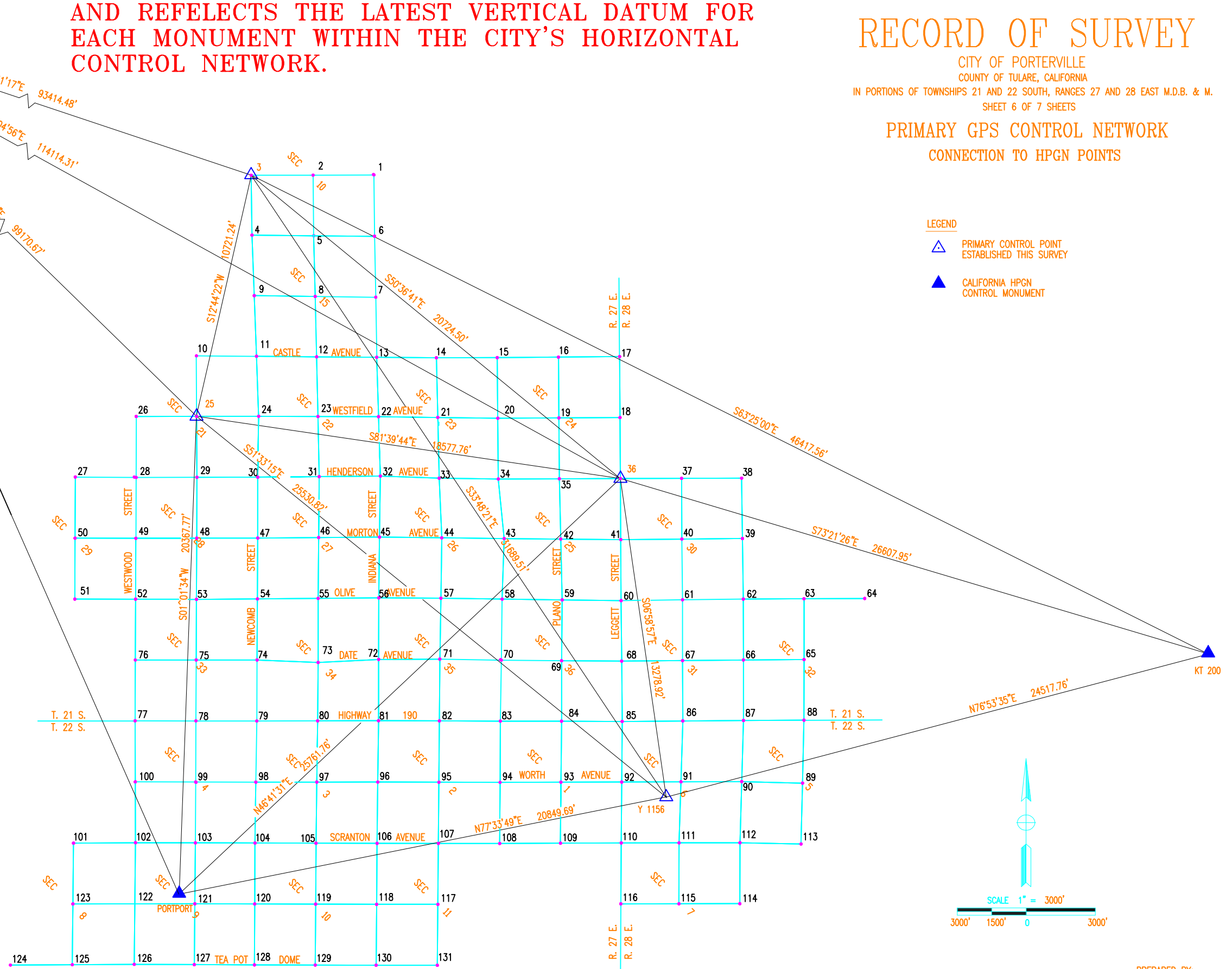
RECORD OF SURVEY

CITY OF PORTERVILLE
 COUNTY OF TULARE, CALIFORNIA
 IN PORTIONS OF TOWNSHIPS 21 AND 22 SOUTH, RANGES 27 AND 28 EAST M.D.B. & M.
 SHEET 6 OF 7 SHEETS

PRIMARY GPS CONTROL NETWORK CONNECTION TO HPGN POINTS

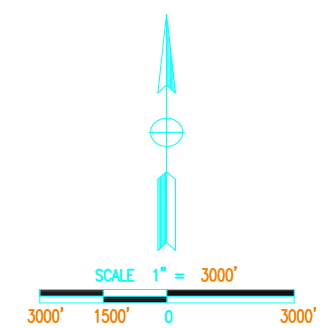
LEGEND

-  PRIMARY CONTROL POINT ESTABLISHED THIS SURVEY
-  CALIFORNIA HPGN CONTROL MONUMENT



CITY OF PORTERVILLE BENCHMARK DATA
 (NAVD 1988 BASED ON 1999 SURVEY & SUBSEQUENT
 FILED CORNER RECORDS)
 LATEST REVISION: 10/8/13 (REVISIONS ARE IN RED)

DATUM NAVD 1988		DATUM NAVD 1988		DATUM NAVD 1988	
PT. No.	Elevation	PT. No.	Elevation	PT. No.	Elevation
1	555.904	46	435.341	91	501.130
2	419.388	47	431.031	92	538.960
3	411.233	48	424.861	93	466.744
4	410.758	49	417.481	94	452.728
5	416.343	50	411.353	95	451.640
6	539.035	51	Rebuilt	96	448.624
7	524.674	52	418.047	97	443.329
8	418.133	53	423.743	98	439.068
9	415.278	54	433.314	99	430.131
10	413.129	55	437.313	100	424.453
11	419.086	56	443.456	101	419.165
12	425.175	57	450.636	102	428.926
13	432.261	58	457.109	103	436.130
14	565.818	59	461.441	104	443.795
15	468.151	60	485.154	105	452.290
16	491.222	61	493.320	106	459.707
17	707.310	62	509.502	107	461.040
18	547.410	63	511.060	108	464.450
19	458.341	64	541.100	109	469.870
20	458.151	65	492.770	110	492.040
21	454.475	66	484.990	111	500.782
22	433.309	67	473.655	112	541.370
23	425.944	68	469.908	113	601.220
24	420.827	69	465.641	114	551.580
25	416.265	70	457.898	115	520.175
26	412.937	71	449.795	116	505.870
27	408.951	72	444.041	117	471.805
28	415.826	73	NO MON	118	462.490
29	422.202	74	430.504	119	454.055
30	427.607	75	422.699	120	444.725
31	431.306	76	420.222	121	437.740
32	436.386	77	423.207	122	429.655
33	441.501	78	422.190	123	420.223
34	449.166	79	434.310	124	412.497
35	449.926	80	438.672	125	420.302
36	474.847	81	440.882	126	431.875
37	577.135	82	451.832	127	438.639
38	938.505	83	458.795	128	446.068
39	635.480	84	465.208	129	456.525
40	538.487	85	472.940	130	467.160
41	506.047	86	478.001	131	476.718
42	469.056	87	484.700		
43	458.766	88	491.450		
44	449.161	89	514.742		
45	443.166	90	524.980		



PREPARED BY:
CALGIS, INC.
 1477 E. SHAW AVE., STE 110
 FRESNO, CA 93710
 (209) 298-1816