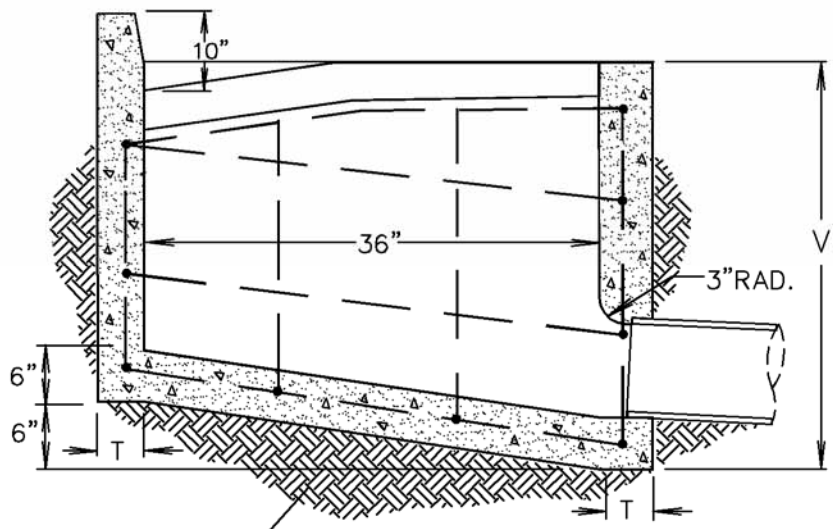
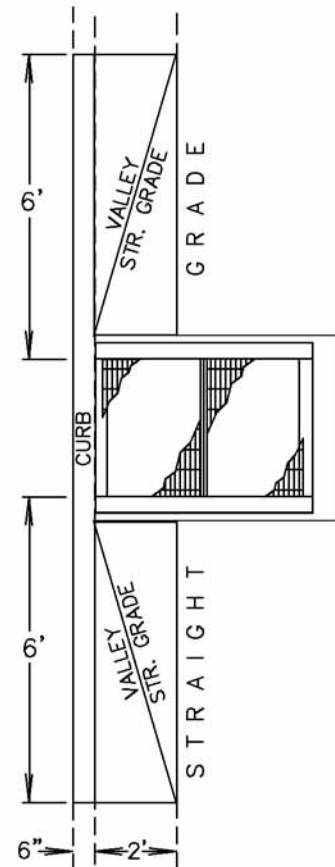


PLAN



SUBGRADE SHALL COMPLY WITH SEC. 303-1.2 OF THE STD. SPECIFICATIONS

SECTION A-A

NOTES :

1. FLOOR OF BASIN SHALL BE TROWELED TO A HARD, SMOOTH SURFACE, AND SHALL SLOPE FROM ALL DIRECTIONS TO THE OUTLET.
2. USE HEAVY DUTY STEEL FRAMES/GRATES BY CHRISTY-NO. 71W452, 375# OR APPROVED EQUAL.
3. REINFORCING STEEL IN WALL AND FLOOR SHALL BE NO. 4 BARS AT 12" CENTERS EACH WAY, PLACED 1 1/2" CLEAR TO INSIDE OF BOX.
4. DIMENSION :  
 T=6" IF "V" 4'-6" OR LESS  
 T=8" IF "V" IS BETWEEN 4'-6" AND 8'-0"  
 T=10" IF "V" IS 8'-0" OR MORE
5. TOP OF BOX AND GRATES TO MATCH FINISHED PAVEMENT.
6. REINFORCING STEEL IN TOP SHALL BE NO. 3 BARS AS DRAWN 1" CLEAR TO INSIDE OF BOX.
7. CONCRETE SHALL BE 6 SACK 3000# DESIGN MIX.
8. PROVIDE VANDAL PROOF LOCKING BOLTS.
9. GRATES SHALL BE HOT DIP GALVANIZED FINISH.

CITY OF PORTERVILLE  
ENGINEERING DIVISION

*Harold L. Hill*  
CITY ENGINEER R.C.E. 20186 DATE 2-15-99

# CATCH BASIN

# D-4

REV.