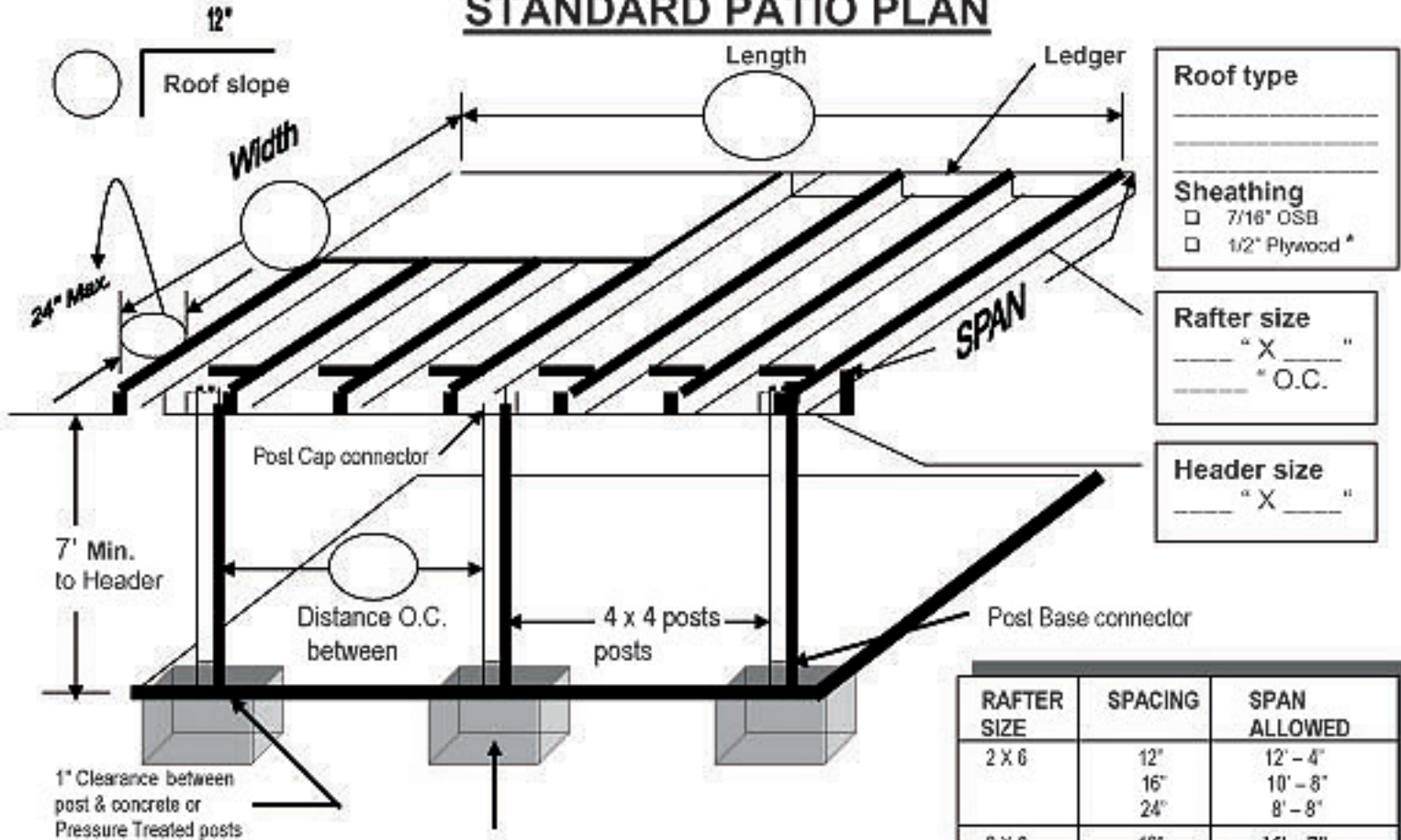




City of Porterville Building Division

291 N. Main St. Porterville CA 93257 (559) 782-7480

STANDARD PATIO PLAN



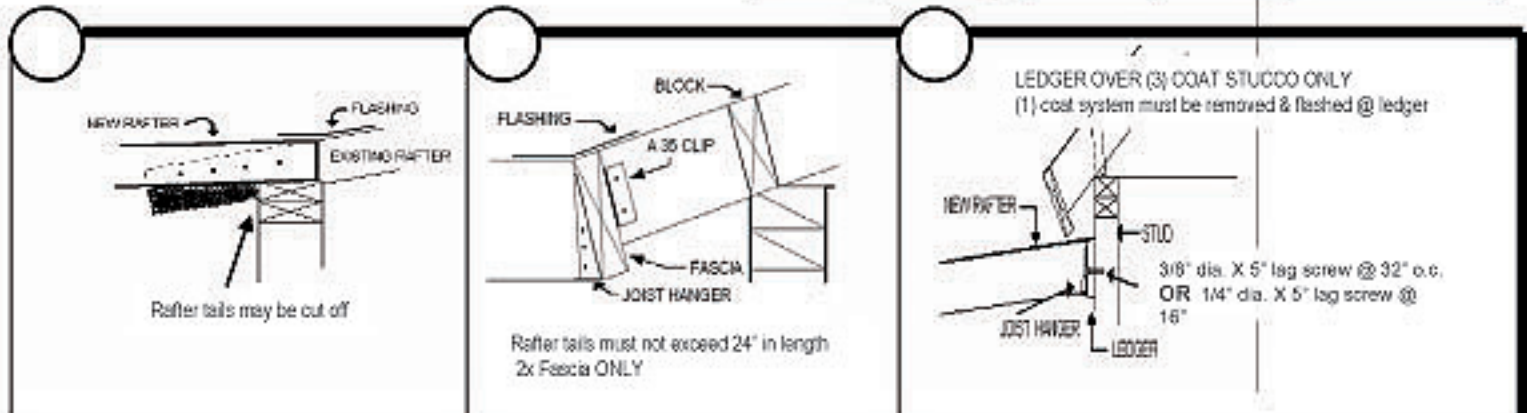
Roof type	_____
Sheathing	<input type="checkbox"/> 7/16" OSB <input type="checkbox"/> 1/2" Plywood *
Rafter size	_____ " X _____ " _____ " O.C.
Header size	_____ " X _____ "

RAFTER SIZE	SPACING	SPAN ALLOWED
2 X 6	12"	12' - 4"
	16"	10' - 8"
	24"	8' - 8"
2 X 8	12"	15' - 7"
	16"	13' - 6"
	24"	11' - 0"
2 X 10	12"	19' - 1"
	16"	16' - 6"
	24"	13' - 6"
2 X 12	12"	22' - 1"
	16"	19' - 2"
	24"	15' - 7"

HEADER SIZE	SPAN
4 X 6	6 FT.
4 X 8	8 FT.
4 X 10	10 FT.
4 X 12	12 FT.

Approved methods of attachments

Check one



This design not approved to be enclosed.
* Exposed plywood shall be CCX or better.

CBC - table 2308.10.3 (5)