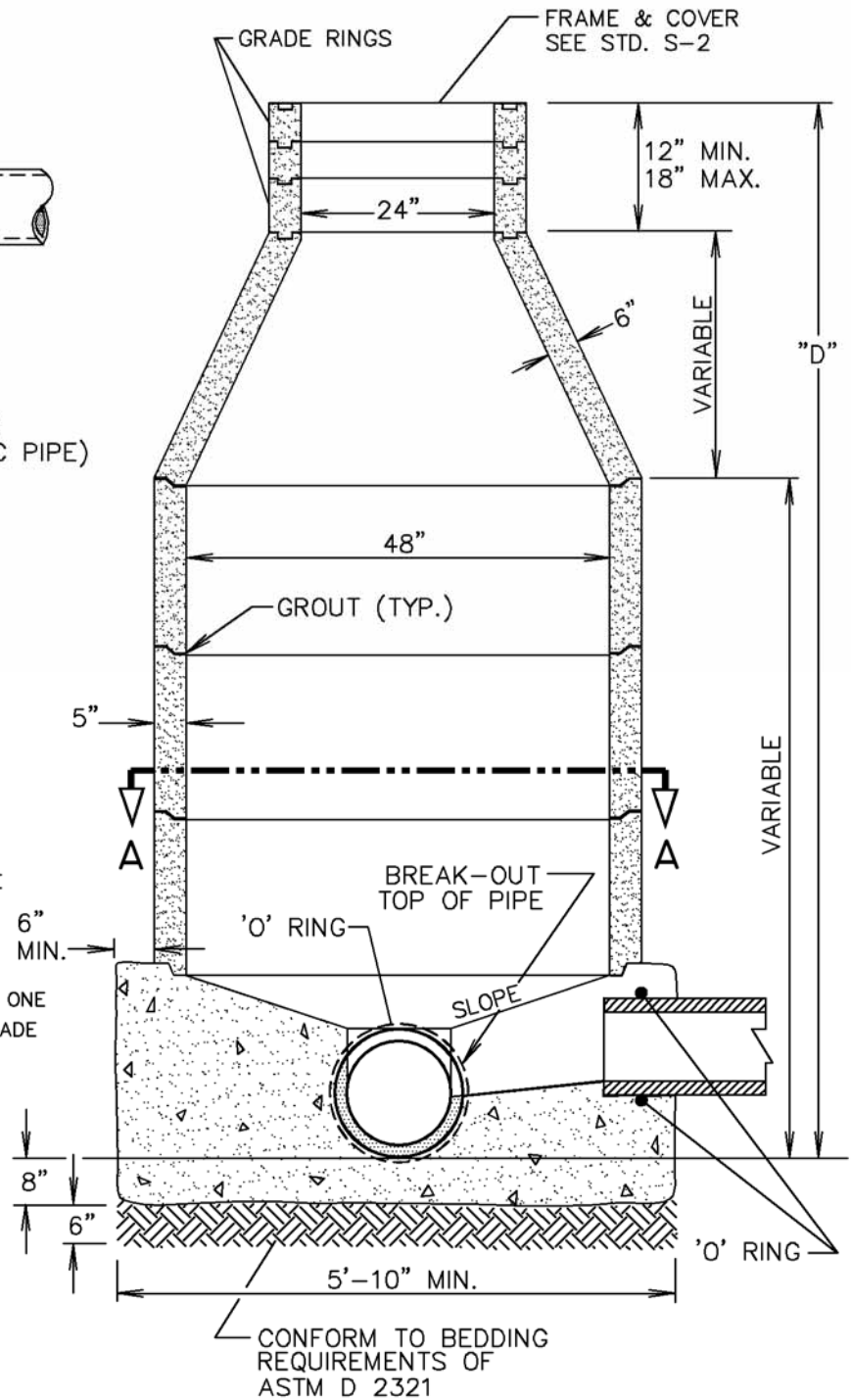


SECTION A-A



NOTES:

1. ALL MATERIALS AND WORKMANSHIP SHALL CONFORM TO THE REQUIREMENTS OF THE STD. SPECIFICATIONS.
2. PRECAST REINFORCED CONCRETE MANHOLE SHALL BE CONSTRUCTED IN ACCORDANCE WITH PROVISIONS OF ASTM DESIGNATION C-478.
3. ALL CONCRETE SHALL BE 2500# (5 SACK MIX).
4. GROUT AND BOND ALL PIPE JOINTS. GROUT MIXTURE ONE PART CEMENT PER TWO PARTS SAND. CONE AND GRADE RINGS SHALL BE PRECAST REINFORCED CONCRETE AS PER ASTM C-478. KENT SEAL CAN BE USED IN LIEU OF GROUT AT PIPE JOINTS AND NOTE 5 IS REQUIRED.
5. INSIDE SHALL BE MORTARED TO SMOOTH FINISH.