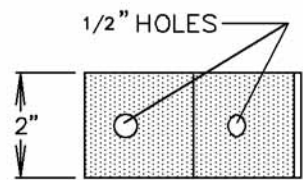
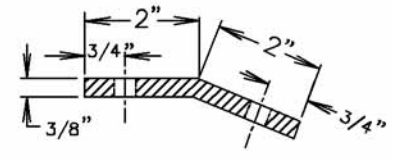
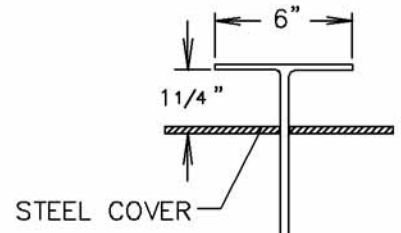


**WEIR**

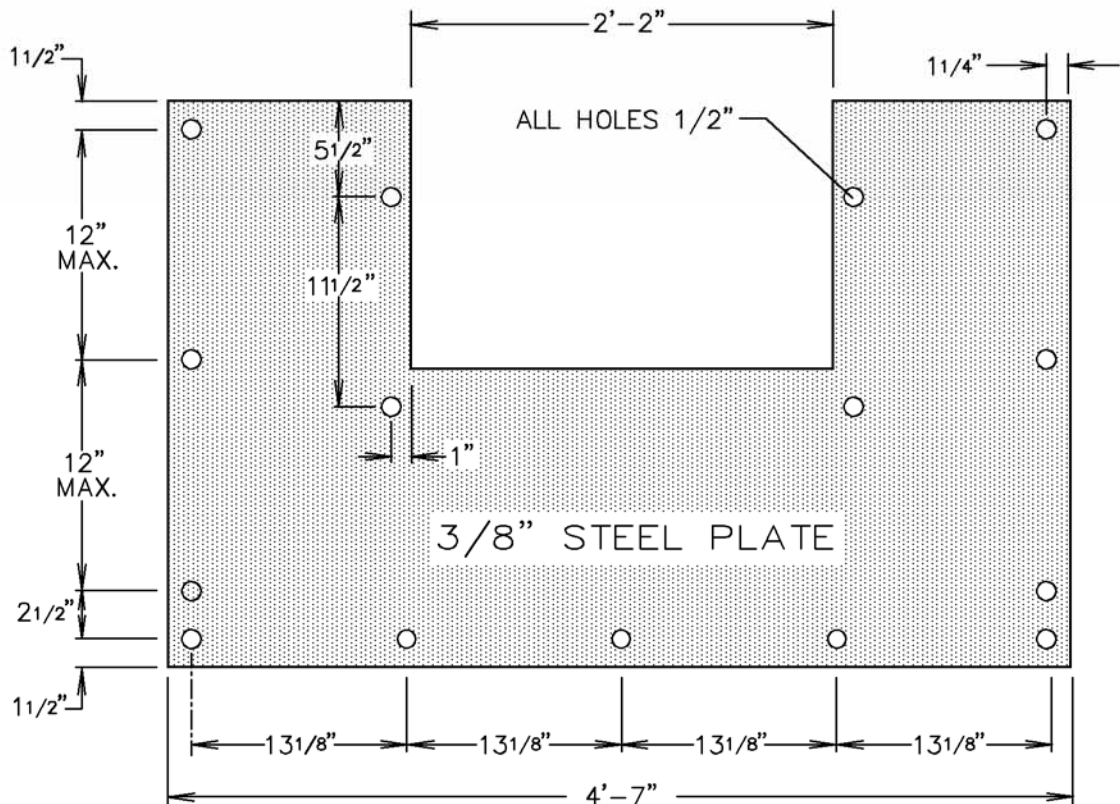


**WEIR PLATE BRACKETS**



**STEEL COVER**

**1/2" GALV. PIPE**



**WEIR PLATE**

**SHEAR GATE HANDLE**

NOTE :  
 FOR APPROVED EQUALS OR TYPE OF MATERIALS CONTACT CITY OF PORTERVILLE  
 ENGINEERING DEPT. PHONE (209) 7827462