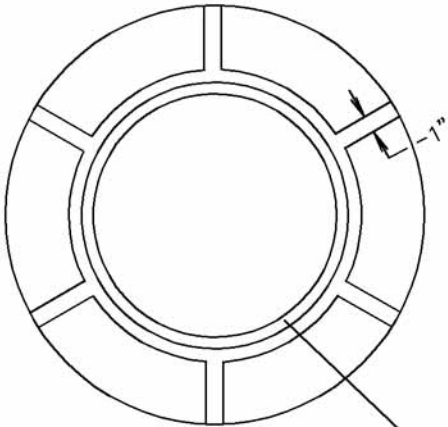
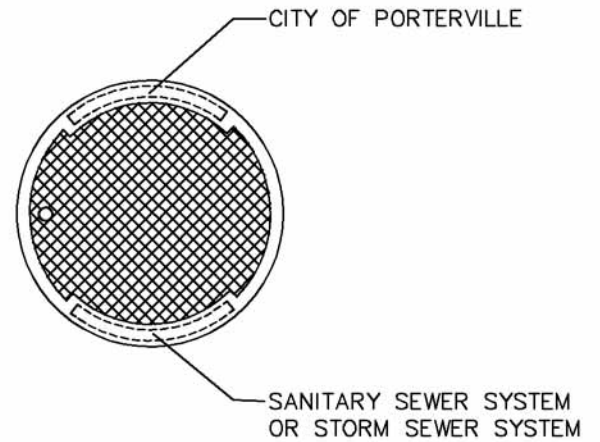


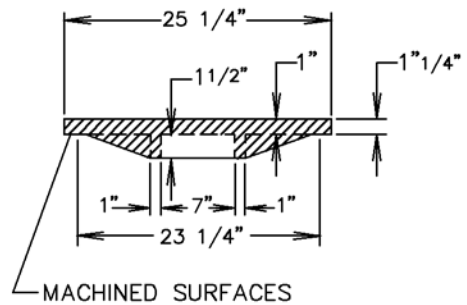
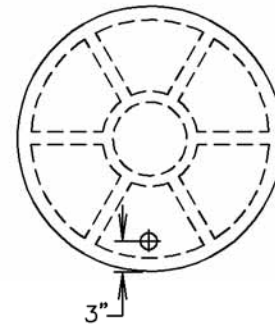
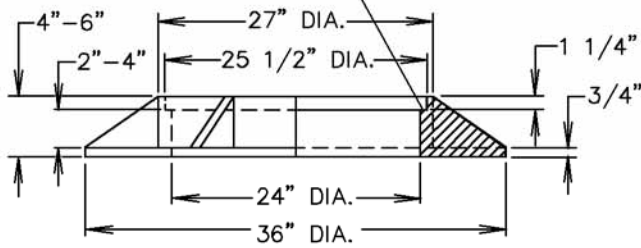
# FRAME



# COVER



MACHINED SURFACES



**NOTES:**

1. ALL MATERIALS AND WORKMANSHIP SHALL CONFORM TO THE REQUIREMENTS OF THE STANDARD SPECIFICATIONS.
2. MANHOLE COVER TO BE PINKERTON A-283 OR APPROVED EQUAL.

CITY OF PORTERVILLE  
ENGINEERING DIVISION

*Harold L. Hill* 2-15-99  
CITY ENGINEER R.C.E. 20186 DATE

# MANHOLE FRAME & COVER

# S-2

REV.