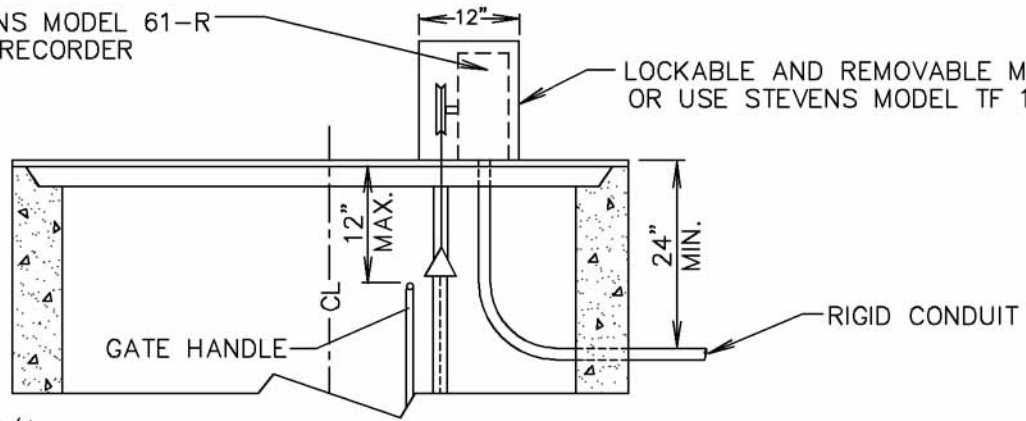


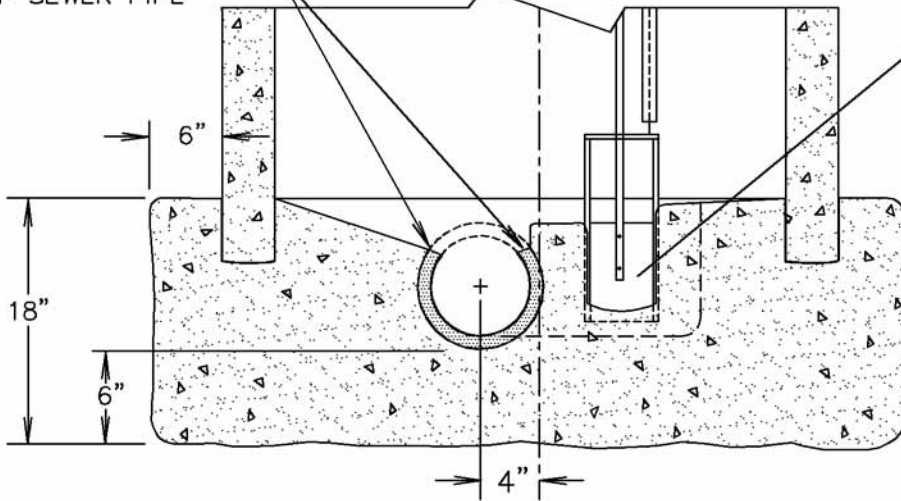
LEUPOLD STEVENS MODEL 61-R
ELECTRIC FLOW RECORDER

LOCKABLE AND REMOVABLE METAL BOX
OR USE STEVENS MODEL TF 132-0 BOX



BREAKOUT TOP 1/4
OF SEWER PIPE

6" BRASS SLIDE GATE
WATERMAN MODEL NO. C-68
OR EQUAL



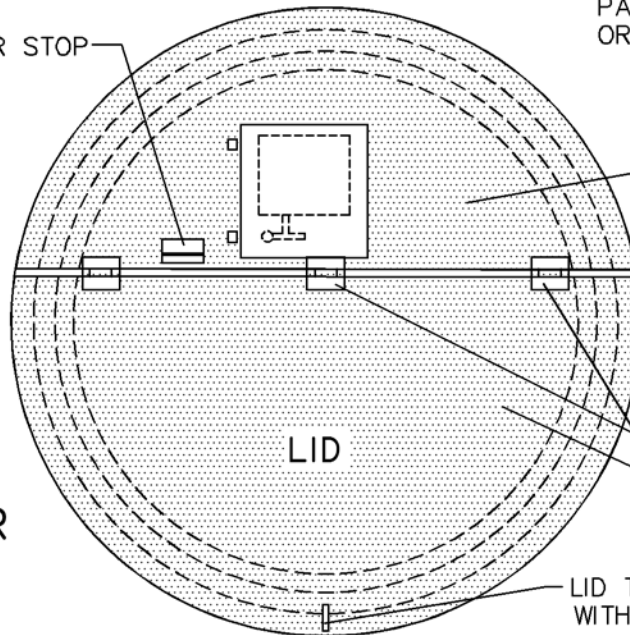
SECTION B-B

NOTE :

ALL METAL SURFACES SHALL BE GIVEN TWO
COATS OF CHLORINATED RUBBER PRIMER
AND TWO COATS OF TILE BUFF ENAMEL
PAINT (SHERWIN WILLIAMS NO.B 69415
OR EQUAL).

ANGLE IRON COVER STOP
3"x 3"x 3/8"

TO BE SECURED IN PLACE



HINGES WELDED TO COVER

STEEL COVER 1/4" THK.
4'9"± DIA. WITH BATTLE
PLATE NON SKID SURFACE

LID TO BE EQUIPPED
WITH LOCKING DEVICE

COVER

CITY OF PORTERVILLE
ENGINEERING DIVISION

Harold L. Hill 9-3-85
CITY ENGINEER R.C.E. 20186 DATE

**INDUSTRIAL FLOW
METERING STATION**

S-9

2 OF 2

REV.